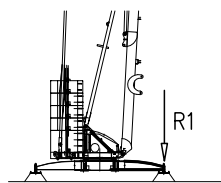




Curve di carico – Courbes de charges – Load diagrams – LastKurven – Curvas de cargas

	<table border="1"> <tr> <td>3</td> <td>19</td> <td>21</td> <td>m</td> </tr> <tr> <td>1800</td> <td>850</td> <td>700</td> <td>kg</td> </tr> </table>	3	19	21	m	1800	850	700	kg	Spostamento bozzello in orizzontale Block moving horizontally Bloquer le déplacement horizontal Blockieren horizontal bewegt Bloquear el movimiento horizontal Bloquear moviendo horizontalmente						
3	19	21	m													
1800	850	700	kg													
	<table border="1"> <tr> <td>3</td> <td>22</td> <td>23,8</td> <td>m</td> </tr> <tr> <td>600</td> <td>600</td> <td>600</td> <td>kg</td> </tr> </table>	3	22	23,8	m	600	600	600	kg	Portata costante = 600 Kg Constant load = 600 Kg Charge constante = 600 Kg konstanter Belastung = 600 Kg Carga constante = 600 Kg Carga constante = 600 Kg						
3	22	23,8	m													
600	600	600	kg													
	<table border="1"> <tr> <td>3</td> <td>22</td> <td>23,9</td> <td>m</td> </tr> <tr> <td>600</td> <td>600</td> <td>600</td> <td>kg</td> </tr> </table>	3	22	23,9	m	600	600	600	kg	Portata costante = 600 Kg Constant load = 600 Kg Charge constante = 600 Kg konstanter Belastung = 600 Kg Carga constante = 600 Kg Carga constante = 600 Kg						
3	22	23,9	m													
600	600	600	kg													
	<table border="1"> <tr> <td>3</td> <td>11,2</td> <td>12</td> <td>16</td> <td>20</td> <td>24</td> <td>m</td> </tr> <tr> <td>1800</td> <td>1800</td> <td>1650</td> <td>1155</td> <td>875</td> <td>700</td> <td>kg</td> </tr> </table>	3	11,2	12	16	20	24	m	1800	1800	1650	1155	875	700	kg	
3	11,2	12	16	20	24	m										
1800	1800	1650	1155	875	700	kg										
	<table border="1"> <tr> <td>3</td> <td>12,5</td> <td>m</td> </tr> <tr> <td>1800</td> <td>1800</td> <td>kg</td> </tr> </table>	3	12,5	m	1800	1800	kg	Portata costante = 1800 Kg Constant load = 1800 Kg Charge constante = 1800 Kg konstanter Belastung = 1800 Kg Carga constante = 1800 Kg Carga constante = 1800 Kg								
3	12,5	m														
1800	1800	kg														

Reazioni – Reactions – Réactions – Eckdrücke – Reacciones – Reações



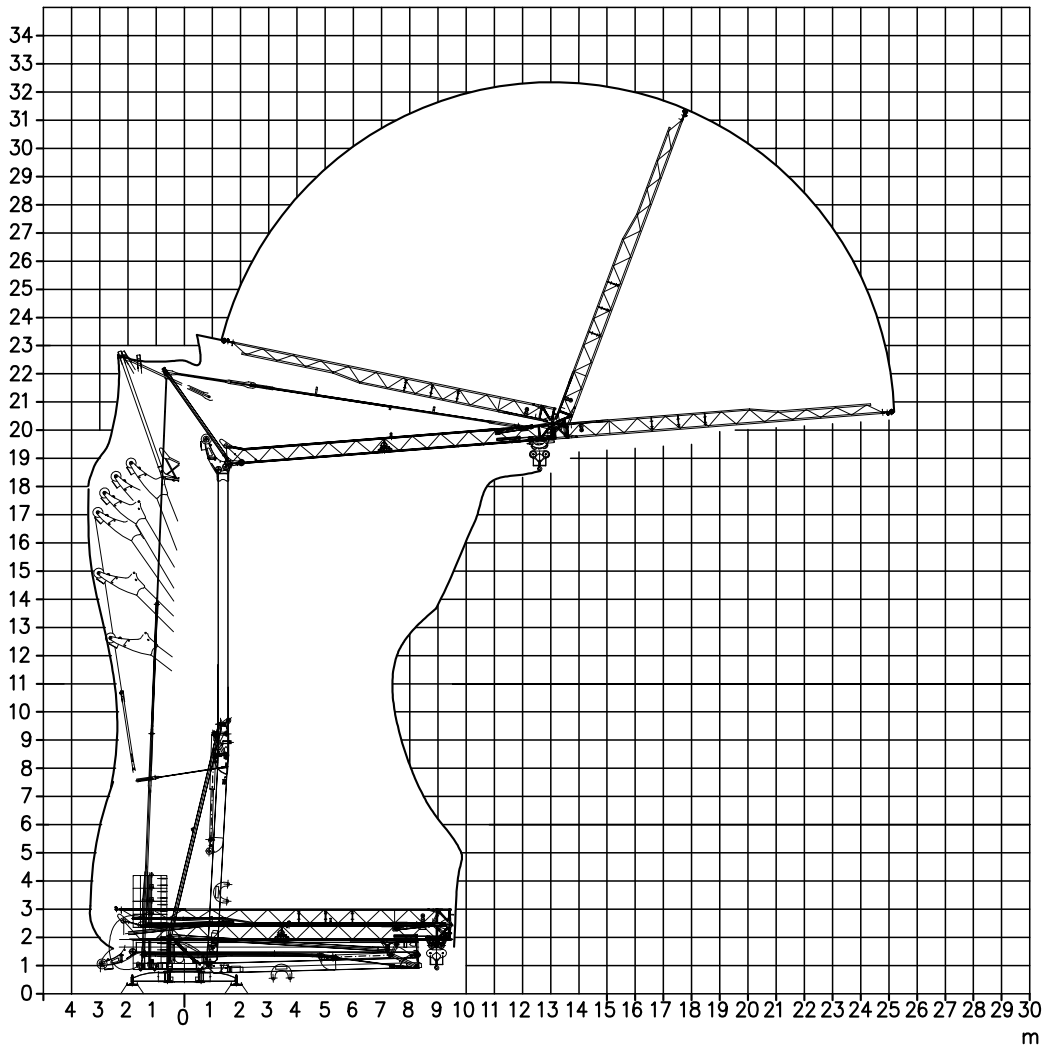
R1 ● 12 t ■ 10 t

▲ 7,1 t ○ 11,9 t

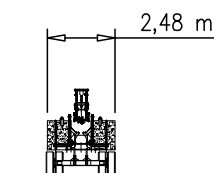
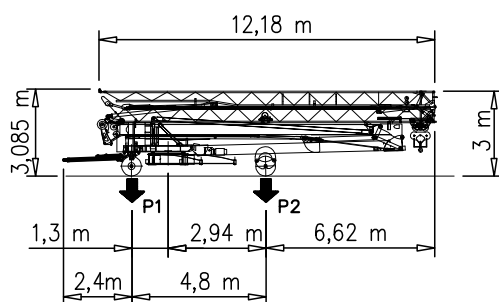
$\left\{ \begin{array}{l} \text{N}^{\circ}2 \text{ A}=3500\text{Kg} (1750\text{Kg}\times 2) \\ \text{N}^{\circ}8 \text{ B}=8400\text{Kg} (1050\text{Kg}\times 8) \end{array} \right.$

- Reazioni in servizio | Reactions in service | Réactions en service  
Reaktionskräfte in betrieb | Reacciones en servicio | Em serviço
- Reazioni fuori servizio | Reactions out of service | Réactions hors service  
Reaktionskräfte außer betrieb | Reacciones fuera de servicio | Fora de serviço
- ▲ Peso della gru senza assali | Dead weight without transport axles | Poids de construction sans essieux  
Konstruktionsgewicht ohne trasportachse | Peso de la grua sin tren de transporte | peso de la grua sem carro de transporte
- Peso zavorra rotante | Ballast weight | Poids du lest  
Ballastgewicht | Peso de lastre | Peso de lastre rotativo

Montaggio – Montage – Erection – Montage – Montaje – Montagem



Trasporto – Transport – Transport – Transport – Transporte – Transporte



P1	Kg	7060
P2	Kg	6300
Ptot	Kg	13360

Peso con N°2 A+ N°2 B+ assali  
 Weight with N°2 A+ N°2 B+ transport axles  
 Poids avec N°2 A+ N°2 B+ essieux de transport  
 Gewicht mit N°2 A+ N°2 B+ transportachsen  
 Peso con N°2 A+ N°2 B+ ejes de transporte  
 Peso com N°2 A+ N°2 B+ eixos de transporte

Meccanismi – Mechanisms – Mécanismes – Antriebe – Mecanismos

V7,5.30 230 Volt Sollevamento Hoisting Levage Heben Elevaciòn Elevaçao					 	V7,5.30 5.5 kW (7.5 Hp) 2-11 kVA 
	m/min	4	11	25		
	t	1.8	1.8	0.7		
		4	16	30		
		1.8	1.8	0.7		

V7,5.30 400 Volt Sollevamento Hoisting Levage Heben Elevaciòn Elevaçao					 	V7,5.30 5.5 kW (7.5 Hp) 11 kVA 
	m/min	4	11	30		
	t	1.8	1.8	0.7		
		4	16	30		
		1.8	1.8	0.7		

Carrello Trolleying Distribuciòn Katzfahren Distribuciòn – Distribuiçao			2a	0 → 30	m/min	2.2 kW (Hp 3)
			1a			
Rotazione Slewing Orientaciòn Schwenken Rotaciòn – Rotaçao			1a	0 → 0.8	giri/min tr/min rp/min	2.2 kW (Hp 3)
			2a			
			3a			

Rete elettrica – Réseau – Mains supply – Netzstrom – Red – Alimentaçao	230/400V – 50 Hz
--	------------------

Potenza elettrica necessaria – Puissance électrique ncessaire Necessary electric power – Anschlusswert – Potencia electrica necesaria	1/3PH 2-11 kVA
--	----------------

FEM 1.001-A3 2000/14/CE	
----------------------------	--